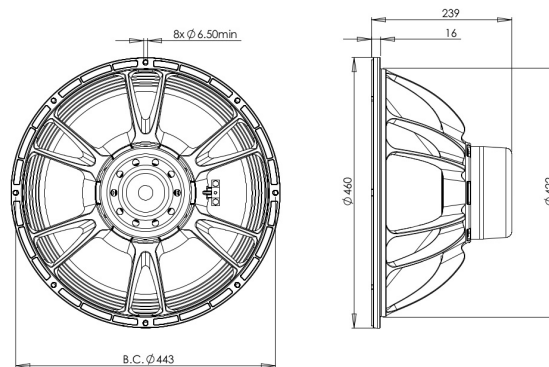


18DS100

8Ω**LF Drivers** - 18.0 Inches

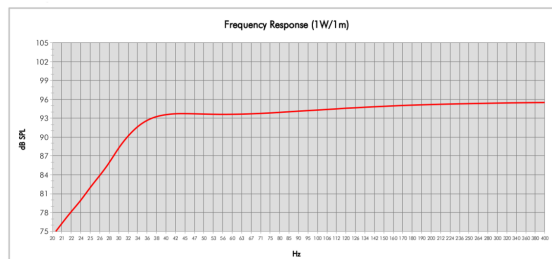
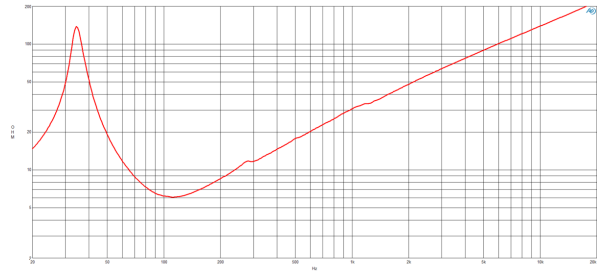
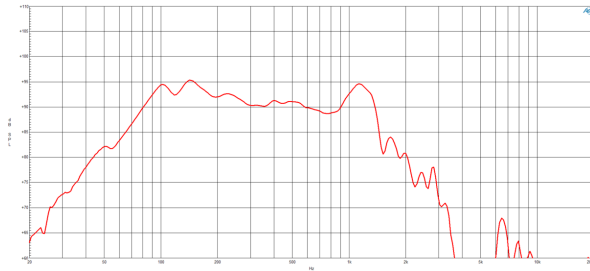
- 3000 W continuous program power capacity
- 100 mm (4 in) copper voice coil
- 34 - 1000 Hz response
- 97.5 dB sensitivity
- Double silicone spider with optimized compliance
- Ventilated voice coil gap for reduced power compression
- Aluminium demodulating ring for very low distortion



This next evolution subwoofer uses a new, longer, four layer aluminum voice coil. The result is less heat, more energy in the gap, higher sensitivity, higher power handling, lower distortion and better overall performance. The 18DS100 features a 36.5 mm long, 4 inch diameter (100mm) Copper Clad Aluminum Wire voice coil. With a 1500watt AES power rating, 97.5 dB sensitivity, and over 14.0mm of Xvar, this high energy subwoofer is a significant step forward from similar models in the B&C range.

18DS100

LF Drivers- 18.0 Inches



Model:	18DS100		Configuration:	One Driver
Enclosure Type:	Bas Reflex			
Internal Net Volume (litre):	200	QES:	4	
Tuning Frequency (Hz):	35	Port Area (cm ²):	400.0	
Frequency (-3 dB) (Hz):	35.9	Port Length (cm):	29.4	
Frequency (-10 dB) (Hz):	27.8			

SPECIFICATIONS

Nominal Diameter	460 mm (18.0 in)
Nominal Impedance	8 Ω
Minimum Impedance	6.1 Ω
Nominal Power Handling ¹	1500 W
Continuous Power Handling ²	3000 W
Sensitivity (1W/1m) ³	97.5 dB
Frequency Range	34 - 1000 Hz
Voice Coil Diameter	100 mm (4.0 in)
Winding Material	Aluminium
Former Material	Glass Fibre
Winding Depth	36.5 mm (1.44 in)
Magnetic Gap Depth	16.0 mm (0.63 in)
Flux Density	0.7 T

DESIGN

Surround Shape	Triple Roll
Cone Shape	Radial
Magnet Material	Neodymium Inside Slug
Spider	Double Silicone
Pole Design	T-Pole
Woofers Cone Treatment	TWP Waterproof Both Sides
Recommended Enclosure	200.0 dm ³ (7.06 ft ³)
Recommended Tuning	35 Hz

PARAMETERS⁴

Resonance Frequency	34 Hz
Re	4.5 Ω
Qes	0.3
Qms	9.5
Qts	0.29
Vas	155.0 dm ³ (5.47 ft ³)
Sd	1210.0 cm ² (187.55 in ²)
η _o	2.1 %
Xmax	± 14.5 mm
Xvar	± 14.0 mm
Mms	278.0 g
Bl	30.0 Txm
Le	4.4 mH
EBP	113 Hz

MOUNTING AND SHIPPING INFO

Overall Diameter	460 mm (18.11 in)
Bolt Circle Diameter	443 mm (17.44 in)
Baffle Cutout Diameter	422.0 mm (16.61 in)
Depth	239 mm (9.41 in)
Flange and Gasket Thickness	16 mm (0.63 in)
Air Volume Occupied by Driver	10.0 dm ³ (0.35 ft ³)
Net Weight	10.5 kg (23.15 lb)
Shipping Units	1
Shipping Weight	12.3 kg (27.12 lb)
Shipping Box	500x500x300 mm (19.69x19.69x11.81 in)

SERVICE KIT

Recone kit	RCK18DS1008
------------	-------------

B&C Speakers s.p.a.

Via Poggiomoro, 1 - Loc. Vallina, 50012 Bagno a Ripoli (FI) - ITALY - Tel. +39 055 65721 - Fax +39 055 6572312 - mail@bcspeakers.com

1. 2 hours test made with continuous pink noise signal within the range F_s - $10F_s$. Power calculated on rated minimum impedance. Loudspeaker in free air.
2. Power on Continuous Program is defined as 3 dB greater than the Nominal rating.
3. Applied RMS Voltage is set to 2.83 V for 8 ohms Nominal Impedance.
4. Thiele-Small parameters are measured after a high level 20 Hz sine wave preconditioning test.